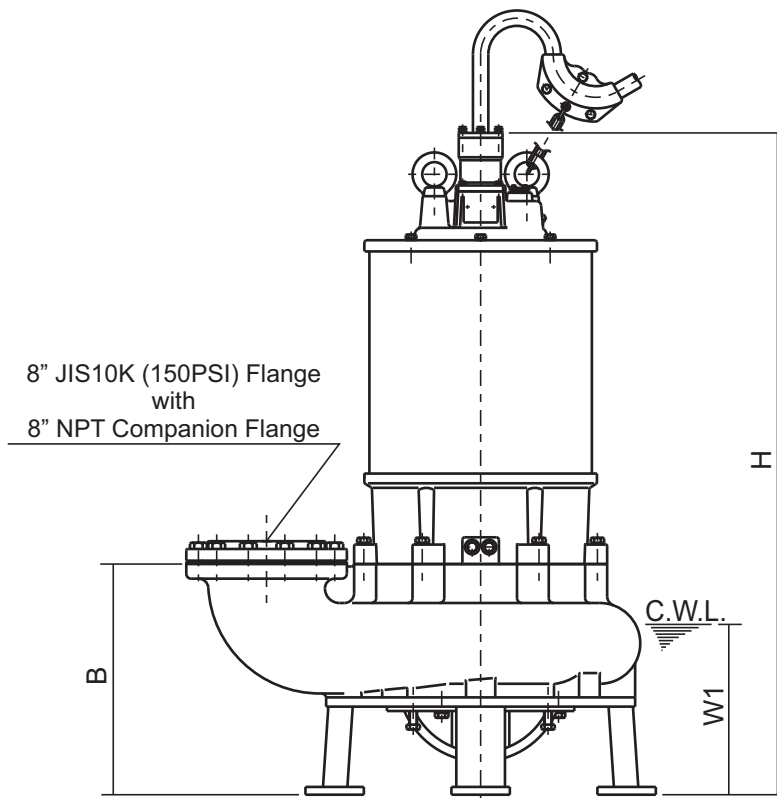
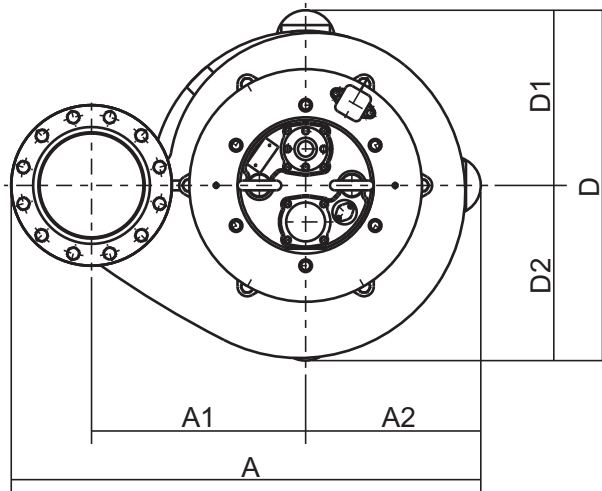




GSZ-6 SERIES
HIGH VOLUME - SAND PUMPS

DIMENSIONS

GSZ5-22-6



C.W.L. : Continuous running Water Level

DIMENSIONS:USCS (Inch)

| Model | HP | NOM. SIZE | Pump & Motor | | | | | | | | C.W.L. | *Wt. (lbs.) |
|-----------|----|-----------|--------------|---------|---------|----------|--------|---------|---------|---------|--------|-------------|
| | | | A | A1 | A2 | B | D | D1 | D2 | H | W1 | |
| GSZ5-22-6 | 30 | 8" | 38 | 17 5/16 | 14 3/16 | 18 11/16 | 28 3/8 | 14 3/16 | 14 3/16 | 53 9/16 | 13 3/4 | 1610 |

*Excluding Cable

DIMENSIONS:METRIC (mm)

| Model | kW | NOM. SIZE | Pump & Motor | | | | | | | | C.W.L. | *Wt. (kg) |
|-----------|----|-----------|--------------|-----|-----|-----|-----|-----|-----|------|--------|-----------|
| | | | A | A1 | A2 | B | D | D1 | D2 | H | W1 | |
| GSZ5-22-6 | 22 | 200 | 965 | 440 | 360 | 474 | 720 | 360 | 360 | 1360 | 350 | 730 |

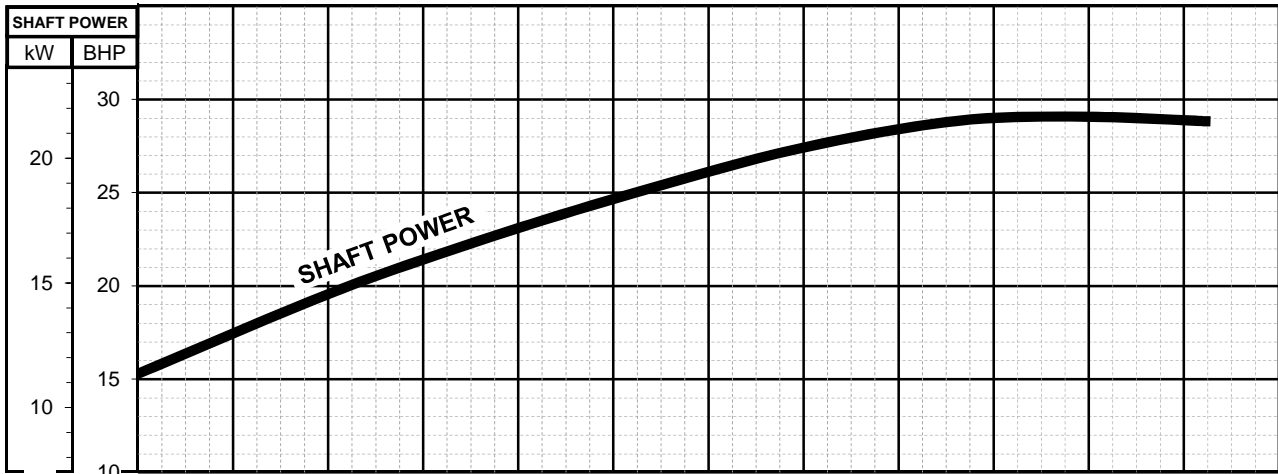
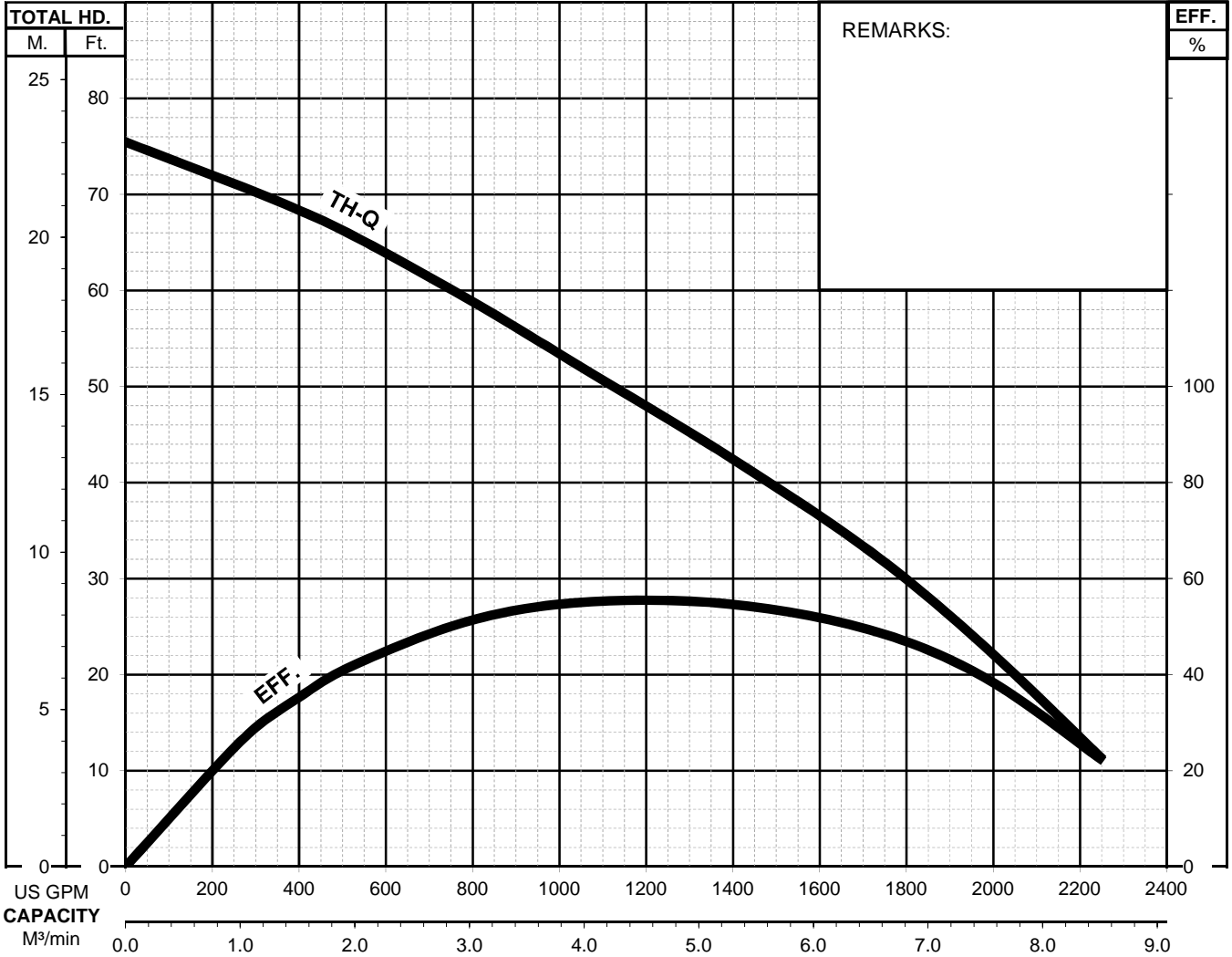


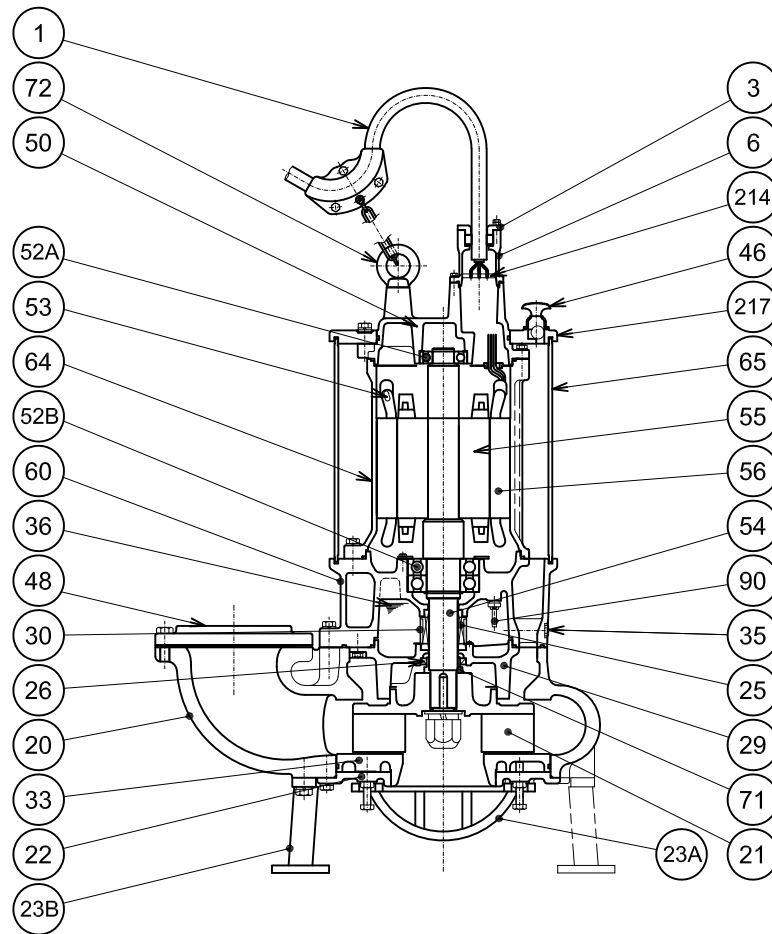
GSZ-6 SERIES

HIGH VOLUME - DEWATERING PUMPS

PERFORMANCE
CURVE

| MODEL | BORE | HP | KW | RPM | SOLIDS DIA. | LIQUID | SG. | VISCOSITY | TEMP. |
|-----------------------------|----------|-----------|----------|----------|-----------------|-----------------|------------|-----------|-------|
| GSZ5-22-6 | 8"/200mm | 30 | 22 | 1160 | 1.97"/50mm | Water | 1.0 | 1.123cSt. | 60°F |
| PUMP TYPE | PHASE | VOLTAGE | AMPERAGE | HZ | STARTING METHOD | INS. CLASS | | | |
| High Volume - Agitator Pump | 3 | 460 / 575 | 41 / 33 | 60 | Direct On Line | F | | | |
| CURVE No. | DATE | PHASE | VOLTAGE | AMPERAGE | HZ | STARTING METHOD | INS. CLASS | | |
| - | - | - | - | - | - | - | - | | |





GSZ5-22-6

| ITEM# | DESCRIPTION | MAIN MATERIAL / NOTE | ASTM, AISI CODE | RELATED EN CODE | Q'TY |
|-------|-------------------------|---|---------------------|---------------------|------|
| 1 | Power Cable | Chloroprene Sheath AWG 6/4 , 14/3 -50ft | | | 1 |
| 3 | Gland | Cast Iron | A48M Class30B | EN 1561 GJL-200 | 1 |
| 6 | Stuffing Box | Cast Iron | A48M Class30B | EN 1561 GJL-200 | 1 |
| 20 | Pump Casing | Cast Iron | A48M Class30B | EN 1561 GJL-200 | 1 |
| 21 | Impeller | High Chrome Cast Iron | A532 ClassIII TypeA | DIN 1695 G-X260Cr27 | 1 |
| 22 | Suction Cover | Cast Iron | A48M Class30B | EN 1561 GJL-200 | 1 |
| 23A | Suction Strainer | Steel | A283 Grade D | EN 10025 S275 | 1 |
| 23B | Pump Stand | Steel | A283 Grade D | EN 10025 S275 | 1 |
| 25 | Mechanical Seal | Silicon Carbide / H-60 | | | 1 |
| 26 | Oil Seal | NBR / TC-709513 | | | 1 |
| 29 | Oil Casing | Cast Iron | A48M Class30B | EN 1561 GJL-200 | 1 |
| 30 | Oil Lifter | Steel (Cold Rolled) | A109/A1008 | EN 10130 | 1 |
| 33 | Suction Plate | High Chrome Cast Iron | A532 ClassIII TypeA | DIN 1695 G-X260Cr27 | 1 |
| 35 | Oil Plug | Stainless Steel | S 30400 | 1.4301 | 2 |
| 36 | Lubricant | Turbine Oil ISO VG32 or SAE 10W-20 | | | |
| 46 | Air Release Valve | Steel (Cold Rolled) | A109/A1008 | EN 10130 | 1 |
| 48 | Companion Flange | Cast Iron / NPT8" JIS10K | A48M Class30B | EN 1561 GJL-200 | 1 |
| 50 | Motor Bracket | Cast Iron | A48M Class30B | EN 1561 GJL-200 | 1 |
| 52A | Upper Bearing | #6309ZZC3 | | | 1 |
| 52B | Lower Bearing | #6314ZZD2C3 | | | 1 |
| 53 | Motor Protector | | | | 3 |
| 54 | Shaft | Stainless Steel | S 42000 | 1.4021 | 1 |
| 55 | Rotor | | | | 1 |
| 56 | Stator | | | | 1 |
| 60 | Bearing Housing | Cast Iron | A48M Class30B | EN 1561 GJL-200 | 1 |
| 64 | Motor Housing | Cast Iron | A48M Class30B | EN 1561 GJL-200 | 1 |
| 65 | Outer Cover | Steel Pipe | A53 Type F | DIN 1615 St 33 | 1 |
| 71 | Shaft Sleeve | Stainless Steel | S 40300 | 1.4000 | 1 |
| 72 | Lifting Lug Bolt | Steel | A283 Grade D | EN 10025 S275 | 2 |
| 90 | Leak Sensor (Electrode) | Stainless Steel | S 30300 | 1.4305 | 1 |
| 214 | Blind Cover | Cast Iron | A48M Class30B | EN 1561 GJL-200 | 1 |
| 217 | Fixing Plate | Cast Iron | A48M Class30B | EN 1561 GJL-200 | 1 |

| PARTS LIST | | HIGH VOLUME DEWATERING PUMP | | | 3/9/2017 | |
|------------|------------|-----------------------------------|-----|--------------------------|----------|-------|
| ITEM | PART No. | DESCRIPTION | QTY | SIZE | MATERIAL | NOTES |
| 1 | 009-116-10 | Terminal | 3 | R-2-4 | CU | |
| 2 | 009-107-18 | Terminal | 4 | R-14-6 | CU | |
| 3 | 140-035-14 | Hex.Bolt | 3 | M6x20 | SUS304 | |
| 4 | 010-101-16 | Cable Clip | 2 | No.3 | SPC | |
| 5 | 010-128-19 | Cable Clip Rubber | 1 | 75x80x2t | NBR | |
| 6 | 141-004-17 | Hex.Nut | 3 | M6 | SUS304 | |
| 7 | 001-007-29 | Cabtyre Cable | 15 | 2PNCTFMulti-core7Cx14mm2 | (Vm) | |
| 8 | 140-488-16 | Hex.Bolt (w/Spring Washer) | 4 | M8x30 | SUS304 | |
| 9 | 006-127-15 | Stuffing Box | 1 | No.3 | FC | |
| 10 | 008-145-15 | Mould Cover | 1 | KR3-7 | CR | |
| 11 | 070-107-18 | Cable Clamp | 1 | | FC | |
| 12 | 140-035-14 | Hex.Bolt | 2 | M6x20 | SUS304 | |
| 13 | 143-041-12 | Pan Screw | 1 | M6x8 | SWRM | |
| 14 | 009-106-17 | Terminal | 2 | R-8-6 | CU | |
| 15 | 141-004-59 | Hex.Nut | 4 | M6 | SWRM | |
| 16 | 009-107-18 | Terminal | 4 | R-14-6 | CU | |
| 17 | 009-106-17 | Terminal | 6 | R-8-6 | CU | |
| 18 | 002-115-18 | Heat Shrink Tube (Sold per meter) | m | EVA(d16.5x1t) | (Vm) | |
| 19 | 002-116-19 | Heat Shrink Tube (Sold per meter) | m | A4(d20x0.35t) | (Vm) | |
| 20 | 140-030-35 | Hex.Bolt | 3 | M6x12 | SWRM | |
| 21 | 140-029-28 | Hex.Bolt | 1 | M6X10 | SWRM | |
| 22 | 009-114-18 | Connector | 3 | PC-4020M | | |
| 23 | 009-115-19 | Connector | 3 | PC-4020F | | |
| 24 | 002-128-14 | Heat Shrink Tube (Sold per meter) | m | EVA(d10*1t) | (Vm) | |
| 25 | 002-164-12 | Heat Shrink Tube (Sold per meter) | m | A4(d13.2X0.3t) | (Vm) | |
| 26 | 140-427-17 | Hex.Bolt (w/Plain Washer) | 2 | M5x15 | SUS304 | |
| 27 | 003-175-19 | Blind Cover | 1 | LB | SUS304 | |
| 28 | 121-000-01 | Packing (Blind Cover) | 1 | LB | NBR | |
| 29 | 011-101-19 | Shackle | 1 | 6mm | SS | |
| 30 | 095-132-19 | Chain | 1 | 4mm(6L) | SS | |
| 31 | 072-000-30 | Eye Bolt | 2 | M24 | SS | |
| 32 | 140-052-17 | Hex.Bolt | 2 | M8x16 | SUS304 | |
| 33 | 142-163-18 | Spring Washer | 2 | M8 | SUS304 | |
| 34 | 046-000-05 | Air Release Valve | 1 | GSZ/NKZ/B | SPCC | |
| 35 | 121-151-18 | Packing | 1 | P.C.80xd50 | CR | * |
| 36 | 203-058-11 | Ball | 1 | d28 | SS | |
| 37 | 140-476-11 | Hex.Bolt (w/Spring Washer) | 4 | M8x25 | SUS304 | |
| 38 | 214-000-03 | Blind Cover | 1 | 22-4BG3 | FC | |

| PARTS LIST | | HIGH VOLUME DEWATERING PUMP | | | 3/9/2017 | |
|------------|------------|-----------------------------|------|----------------------|----------|-------|
| ITEM | PART No. | DESCRIPTION | QTY | SIZE | MATERIAL | NOTES |
| 39 | 122-128-19 | O-Ring | 1 | G-85(84.4xd3.1) | NBR | * |
| 40 | 140-102-13 | Hex.Bolt | 6 | M12x55 | SUS304 | |
| 41 | 142-165-10 | Spring Washer | 6 | M12 | SUS304 | |
| 42 | 142-000-47 | Washer | 6 | M12(d12.5xd25.5x5t) | SUS304 | |
| 43 | 121-513-12 | Seal Packing | 6 | d11.5xd21x4t | CR | * |
| 44 | 217-000-20 | Fixing Plate | 1 | GSZ/U-6P22KW | FC | |
| 45 | 122-359-11 | O-Ring | 1 | 445xd5.7 | NBR | * |
| 46 | 122-158-18 | O-Ring | 1 | G-270(269.3xd5.7) | NBR | * |
| 47 | 035-113-18 | Air Tightness Test Plug | 1 | M12x14 | SUS304 | |
| 48 | 121-247-12 | Packing | 1 | d12.3xd18x2t | PE | * |
| 49 | 140-100-11 | Hex.Bolt | 6 | M12x45 | SUS304 | |
| 50 | 142-165-10 | Spring Washer | 6 | M12 | SUS304 | |
| 51 | 050-000-74 | Motor Bracket | 1 | | FC | |
| 52 | 122-160-13 | O-Ring | 1 | G-290(289.3xd5.7) | NBR | * |
| 53 | 142-000-70 | Wave Washer | 1 | d83xd99x0.9t | SK5 | |
| 54 | 052-000-27 | Bearing (w/O-ring) | 1 | AC-6309ZZC3 | | |
| 55 | 016-000-04 | Lead Wire Protection Bush | 2 | d21xd52x11t | SBR | |
| 56 | 058-000-21 | Lead Wire Protection Plate | 1 | d114xd290x3t | SPCC | |
| 57 | 065-000-51 | Outer Cover | 1 | | SGP | |
| 58 | 055-001-93 | Rotor | 1Set | | | |
| 59 | 147-000-38 | Impeller Key | 1 | 16x10x65L | SUS420 | |
| 60 | 053-001-67 | Motor Protector | 3 | YS11A135A-D20 | (H) | |
| 61 | 056-005-51 | Stator 460V-60Hz(USA) | 1Set | | | |
| 61 | 056-005-53 | Stator 575V-60Hz(USA) | 1Set | | | |
| 62 | 064-000-98 | Motor Frame | 1 | | FC | |
| 63 | 140-128-15 | Hex.Bolt | 6 | M16x60 | SUS304 | |
| 64 | 142-166-11 | Spring Washer | 6 | M16 | SUS304 | |
| 65 | 142-427-13 | Seal Washer | 2 | WD-12 | SPC+NBR | |
| 66 | 140-000-77 | Hex.Bolt | 2 | M12x20 | SS | |
| 67 | 122-308-15 | O-Ring | 1 | 320xd5.7 | NBR | * |
| 68 | 140-000-68 | Hex.Bolt | 4 | M8x20 | SS | |
| 69 | 062-000-14 | Bearing Fixing Plate | 1 | 6314(d130xd190x4.5t) | SS | |
| 70 | 052-145-12 | Bearing | 1Set | 6314ZZD2C3 | | |
| 71 | 146-039-16 | Retaining Ring | 1 | C70 | SK5 | |
| 72 | 122-359-11 | O-Ring | 1 | 445xd5.7 | NBR | * |
| 73 | 140-130-10 | Hex.Bolt | 6 | M16x70 | SUS304 | |
| 74 | 142-166-11 | Spring Washer | 6 | M16 | SUS304 | |
| 75 | 060-001-06 | Bearing Housing | 1 | | FC | |

| PARTS LIST | | HIGH VOLUME DEWATERING PUMP | | | | 3/9/2017 |
|------------|------------|-----------------------------------|------|------------------------|----------|----------|
| ITEM | PART No. | DESCRIPTION | QTY | SIZE | MATERIAL | NOTES |
| 76 | 122-259-10 | O-Ring | 2 | 12xd3 | NBR | * |
| 77 | 035-102-30 | Oil Plug | 2 | M12x16(B=21) | SUS304 | |
| 78 | 122-263-17 | O-Ring | 1 | 408xd6 | NBR | * |
| 79 | 090-122-11 | Leakage Sensor(Electrode)/w Gland | 1Set | d9x43L | SUS | |
| 80 | 142-161-32 | Spring Washer | 2 | M5 | SWRH | |
| 81 | 140-000-67 | Hex.Bolt | 2 | M5x20 | SS | |
| 82 | 025-000-51 | Mechanical Seal | 1 | H-60 | SiC | |
| 83 | 143-028-13 | Pan Screw | 3 | M5x10 | SWRM | |
| 84 | 030-134-10 | Oil Lifter | 1 | H-60 | SPCC | |
| 85 | 122-159-19 | O-Ring | 1 | G-280(279.3xd5.7) | NBR | * |
| 86 | 029-206-10 | Oil Casing | 1 | GSZ2-22-6 | FC | |
| 87 | 142-165-10 | Spring Washer | 6 | M12 | SUS304 | |
| 88 | 140-098-15 | Hex.Bolt | 6 | M12x35 | SUS304 | |
| 89 | 026-118-15 | Oil Seal | 1 | TC-709513 | NBR | |
| 90 | 071-000-12 | Shaft Sleeve | 1 | GSZ3-22-6 | SUS403 | |
| 91 | 140-171-13 | Hex.Bolt | 12 | M20x55 | SUS304 | |
| 92 | 142-168-13 | Spring Washer | 12 | M20 | SUS304 | |
| 93 | 048-000-52 | Screwed Flange | 1 | NPT-8(JIS10K) | FC | |
| 94 | 121-109-24 | Packing | 1 | JIS10Kx200mm | NR | |
| 95 | 020-003-19 | Pump Casing | 1 | GSZ5-22-6(JIS10K-200A) | FC | |
| 96 | 021-002-29 | Impeller (60Hz) | 1 | GSZ5-22-6 | HiCrFC | |
| 97 | 142-136-12 | Plain Washer | 1 | M42 | SUS304 | |
| 98 | 142-173-11 | Spring Washer | 1 | M42 | SUS304 | |
| 99 | 157-007-19 | Impeller Nut | 1 | M42,P4.5,H=60 | SS | |
| 100 | 122-312-12 | O-Ring | 1 | 430xd5.7 | NBR | * |
| 101 | 033-106-38 | Suction Plate | 1 | GPN-15-6H | HiCrFC | |
| 102 | 022-315-25 | Suction Cover | 1 | GSZ-22-6 | FC | |
| 103 | 142-166-11 | Spring Washer | 6 | M16 | SUS304 | |
| 104 | 140-123-10 | Hex.Bolt | 6 | M16x35 | SUS304 | |
| 105 | 023-181-10 | Strainer | 1 | GSZ-22-6 | SS | |
| 106 | 141-008-11 | Hex.Nut | 6 | M16 | SUS304 | |
| 107 | 140-134-30 | Hex.Bolt | 6 | M16x90 | SUS304 | |
| 108 | 142-166-11 | Spring Washer | 3 | M16 | SUS304 | |
| 109 | 140-124-11 | Hex.Bolt | 3 | M16x40 | SUS304 | |
| 110 | 023-321-14 | Pump Stand | 1 | GSZ-22-6 | SS | |
| 111 | 142-168-13 | Spring Washer | 4 | M20 | SUS304 | |
| 112 | 140-148-11 | Hex.Bolt | 4 | M20x50 | SUS304 | |
| | 173-000-93 | Packing O-Ring Set | 1Set | (Marked by *) | | |

| PARTS LIST | | HIGH VOLUME DEWATERING PUMP | | | | 3/9/2017 |
|------------|------------|-----------------------------------|-----|--------------------------|----------|----------|
| ITEM | PART No. | DESCRIPTION | QTY | SIZE | MATERIAL | NOTES |
| 35 | 121-151-18 | Packing (Air Release Valve) | 1 | P.C.80xd50 | CR | * |
| 39 | 122-128-19 | O-Ring (Blind Cover) | 1 | G-85(84.4xd3.1) | NBR | * |
| 43 | 121-513-12 | Seal Packing (Fixing Plate Bolt) | 6 | d11.5xd21x4t | CR | * |
| 45 | 122-359-11 | O-Ring (Fixing Plate/Out.Cover) | 1 | 445xd5.7 | NBR | * |
| 46 | 122-158-18 | O-Ring (Fixing Plate/M.Bracket) | 1 | G-270(269.3xd5.7) | NBR | * |
| 48 | 121-247-12 | Packing (Air Tightness Test Plug) | 1 | d12.3xd18x2t | PE | * |
| 52 | 122-160-13 | O-Ring (M.Bracket/M.Frame) | 1 | G-290(289.3xd5.7) | NBR | * |
| 67 | 122-308-15 | O-Ring (M.Frame/Brg.Housing) | 1 | 320xd5.7 | NBR | * |
| 72 | 122-359-11 | O-Ring (Out.Cover/Brg.Housing) | 1 | 445xd5.7 | NBR | * |
| 76 | 122-259-10 | O-Ring (Oil Plug) | 2 | 12xd3 | NBR | * |
| 78 | 122-263-17 | O-Ring (Brg.Housing/P.Casing) | 1 | 408xd6 | NBR | * |
| 85 | 122-159-19 | O-Ring (Brg.Housing/O.Casing) | 1 | G-280(279.3xd5.7) | NBR | * |
| 94 | 121-109-24 | Packing (Screwed Flange) | 1 | JIS10Kx200mm | NR | * |
| 100 | 122-312-12 | O-Ring (P.Casing/Suction Plate) | 1 | 430xd5.7 | NBR | * |
| | | Lubricant | | Turbine Oil VG32 5.400ml | | |

| PARTS LIST | | HIGH VOLUME DEWATERING PUMP | | | 3/9/2017 | |
|------------|----------|-----------------------------|-----|------|----------|-------|
| ITEM | PART No. | DESCRIPTION | QTY | SIZE | MATERIAL | NOTES |

EXPLODED VIEW

GSZ5-22-6 (JIS10K)

